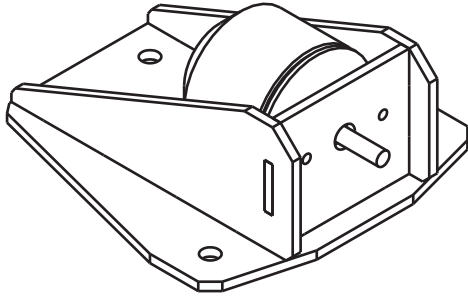
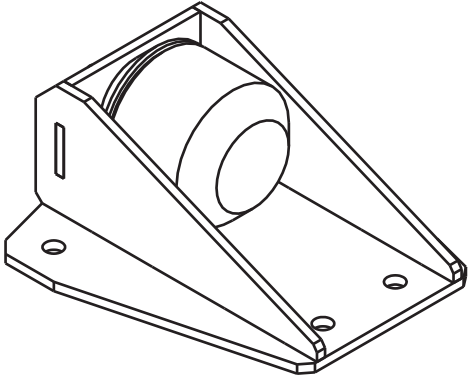


# Out-Runner Brushless Motor Mount for Zagi Ver.2

Design by Grafx / [www.grafx.pe.kr](http://www.grafx.pe.kr)



**Drawing** -THK 2mm Plywood

10mm

A technical drawing for the motor mount, enclosed in a rounded rectangle. It includes a scale bar for 10mm. On the left, there are three exploded views showing the assembly of the motor, the propeller, and the base. On the right, there are three flat patterns: a top cover with three circular holes, a central base with four circular holes and two vertical slots, and two side panels with slots and notches for assembly.