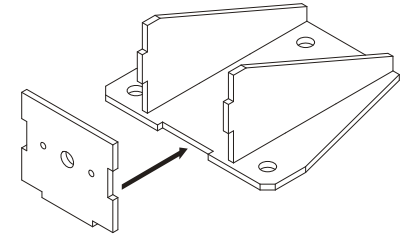
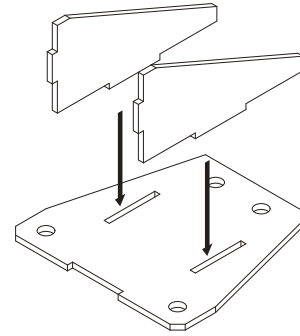
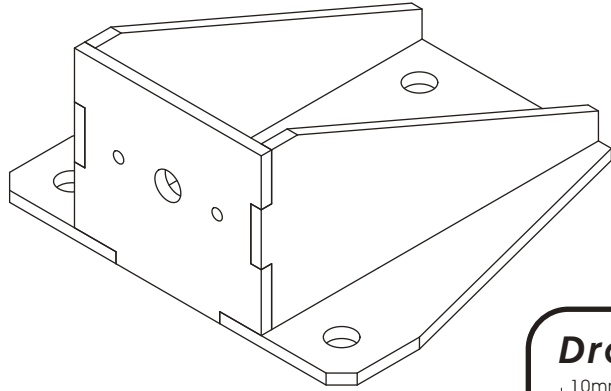


Out-Runner Brushless Motor Mount for Zagi

Design by GrafX / www.grafx.pe.kr



Drawing - THK 2mm Plywood

10mm

